



CONVERGENCE SYSTEMS LIMITED

UHF RFID HANDHELD SLED READER

CS108 SLED HANDHELD READER

DATA CENTER
WAREHOUSE
VEHICLES
RETAIL

CS108 is the best in class read range UHF RFID Sled Reader in the market. It works with all Android phones, iPhones and Tablets. It enables fast inventory of items in business processes where fixed reader class performance is required in a portable device. CS108 is used globally in many mission critical government, industrial and commercial applications.



PRODUCT FEATURES:

Read Range:

- Best in class read range:
- Up to 18 meters with Linear Polarized.
- Up to 15 meters with Circular Polarized Antenna. (tag and environment dependent)

Specific Frequency Bands Available For Your Country

Choice of:

- Vertically linear polarized
- Horizontally linear polarized
- Circular polarized.

Ruggedized design

Drop test 1.2 meters on 6 surfaces, IP54 rated

Optional 2d Barcode Scanner Module

Works with all Android Phones or iPhones

Android API, iPhone API, Linux API, Windows API



Use your OS of choice
www.github.com/csrfid



Read RFID tags and barcodes with one device.

Use any size device and operating system.

Mounting options for tablets or thick enterprise devices.

Read passive RFID temperature sensor tags.

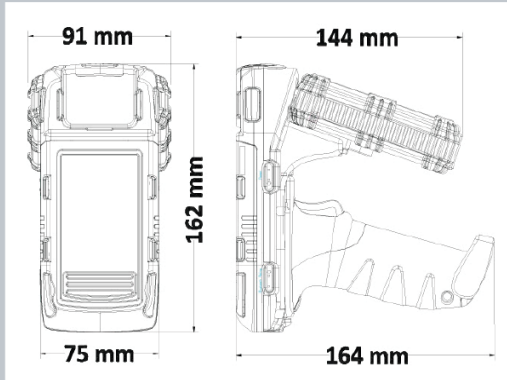


DEMO APP download





UHF RFID HANDHELD SLED READER



CS108 SLED HANDHELD READER

Order Code for Frequency Regulations: CS108-V/H/C-2D-N
 N=1 865-868 MHz (Europe) & 865-867 MHz (India)-HFL
 N=2 902-928 MHz US, Canada & Mexico-HFL
 N=2 AS for 920-926 MHz, Australia only-HFL
 N=2 NZ for 921.5-928 MHz, New Zealand only-HFL
 N=2 OFCA for 920-925 MHz, Hong Kong only-HFL
 N=2 RW for 902-928 MHz, Rest of the world that are subset of this band: e.g. Philippine, Brazil, Peru, Uruguay, Singapore, Thailand, etc.

N=4 922-928 MHz, Taiwan
 N=7 920-925 MHz, China, Malaysia, etc.
 N=8 916.7-920.9 MHz, Japan
 N=9 915-921 MHz, Europe Upper Band

(V for vertically linear polarized, H for horizontally linear polarized, C for circular polarized, 2D means with 2D Barcode options, HFL: Hopping Frequencies Locked)



Optional 2D Barcode Scanner



Dual Battery Charger



Extra Battery

Contact us at info@convergence.com.hk or visit our website at www.convergence.com.hk

Dimensions and weight	Length: 161 mm (6.34 in); Width: 90 mm (3.54 in.); Height: 161 mm (6.34 in); Weight: 639 g (without 2D Barcode Module).
Read Range	Best in Class Read Range: -Up to 20 meters with Linear Polarized Antenna (tag and environment dependent) -Up to 15 meters with Circular Polarized Antenna (tag and environment dependent)
Protocol:	ISO18000-6C, EPC UHF Class 1 Gen 2, Dense Reader Mode available (Class 3 Gen 2 compliant)
Frequency Range:	One of the following: 865-868 MHz, 865-867 MHz, 902-928 MHz, 922-928 MHz, 920-925 MHz, 915-922 MHz, 915-921 MHz
Tag Information:	All banks any sizes (e.g. 240 bits bank1, 512 bits bank3), Per "Tag Read" RSSI value
Barcode Scanner	2D module option available
Antenna Polarization	Vertically linear / Horizontally linear / Circular polarized
Environment	Operating Temp: -20° C to 55° C (-4° F to 131° F) Storage Temp: -40° C to 75° C (-40° F to 167° F)
Ruggedized Design	Drop test 1.2 meters on the six sides; IP54
Interfaces	Android Phone, iPhone, Windows PC, Linux PC
Battery Capacity	3,400 mAh, field replaceable Option: extra battery (CS1088); external charger (CS108C)
Source Code Samples	Read / Write tag. Tag inventory / ranging / search / authentication / association / commissioning. Barcode scanning, database manipulation, wireless network transfer, server side driver, etc.



1 Avenue Jean d'Alembert - ZA la Clef St Pierre
 78990 ELANCOURT
 Tel : 01.30.81.11.85
 Mail : admin@sitetic.fr